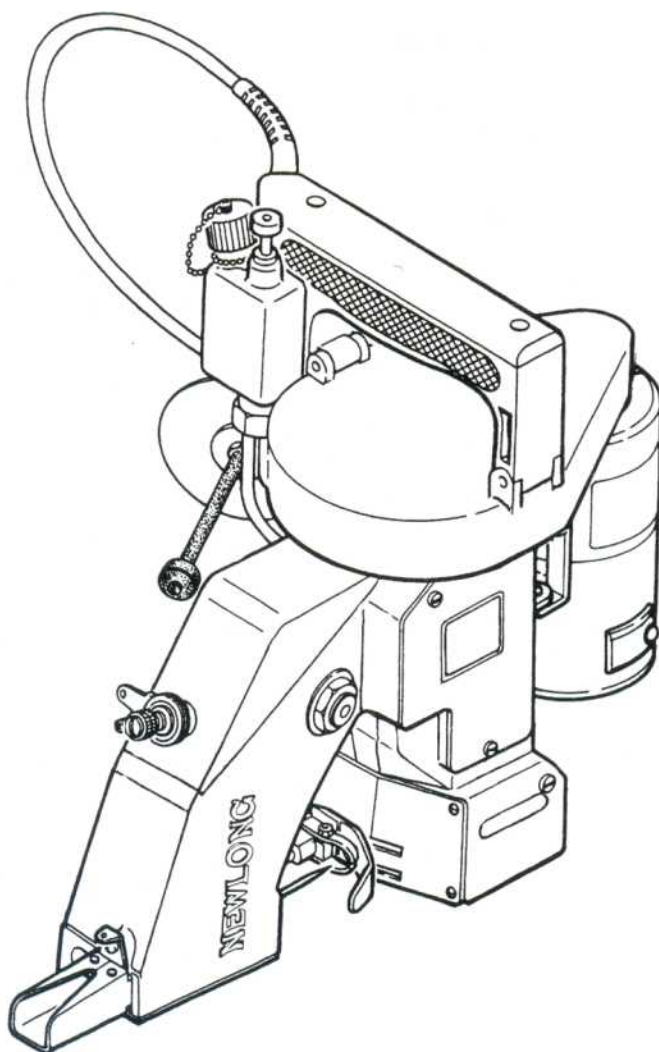


# NEWLONG

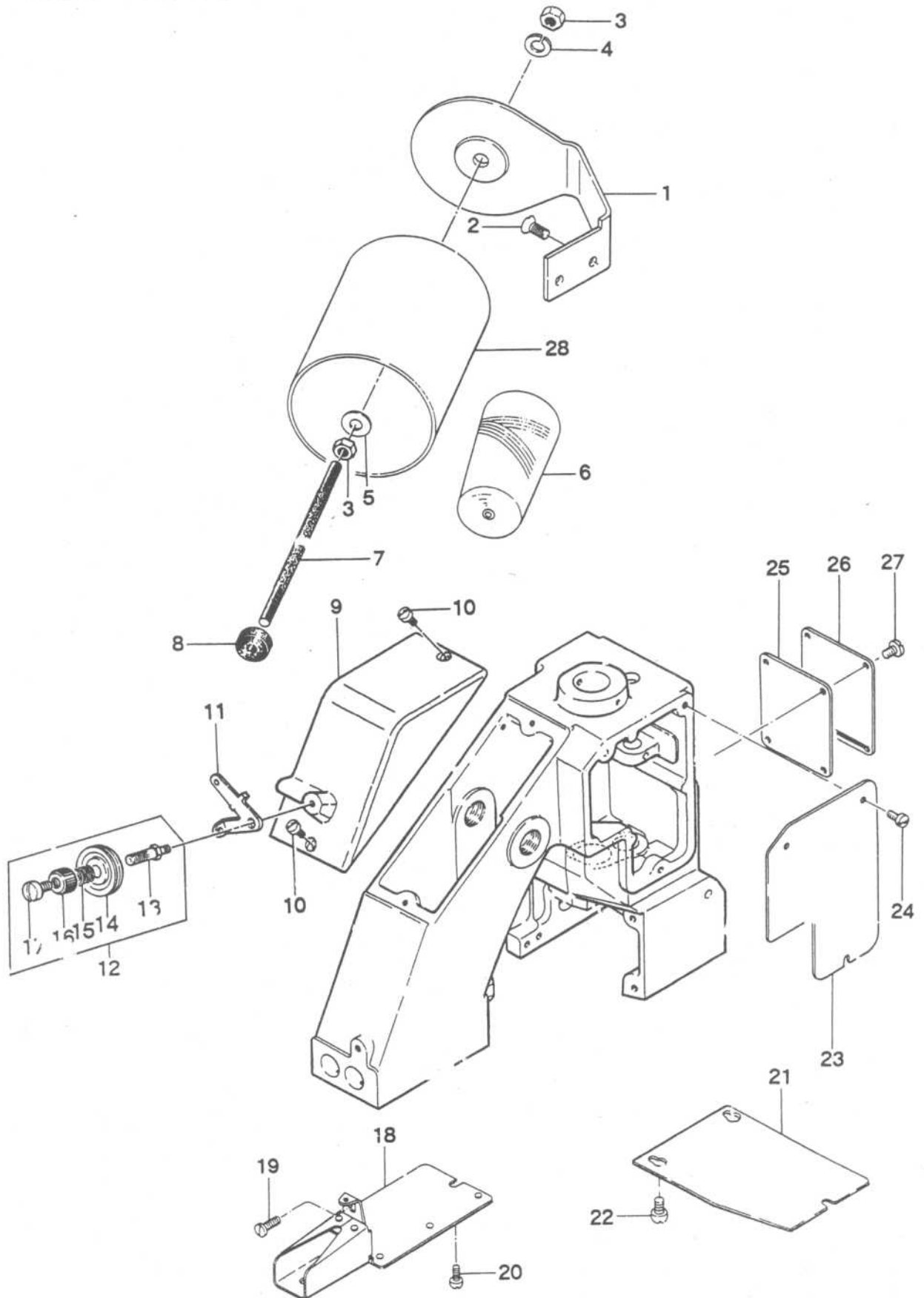
MODEL **NP-7A**  
(NP-7H)

PORTABLE FILLED BAG CLOSING MACHINE

**PARTS LIST**



(1) THREAD TENSION AND COVER PARTS



# (1) THREAD TENSION AND COVER PARTS

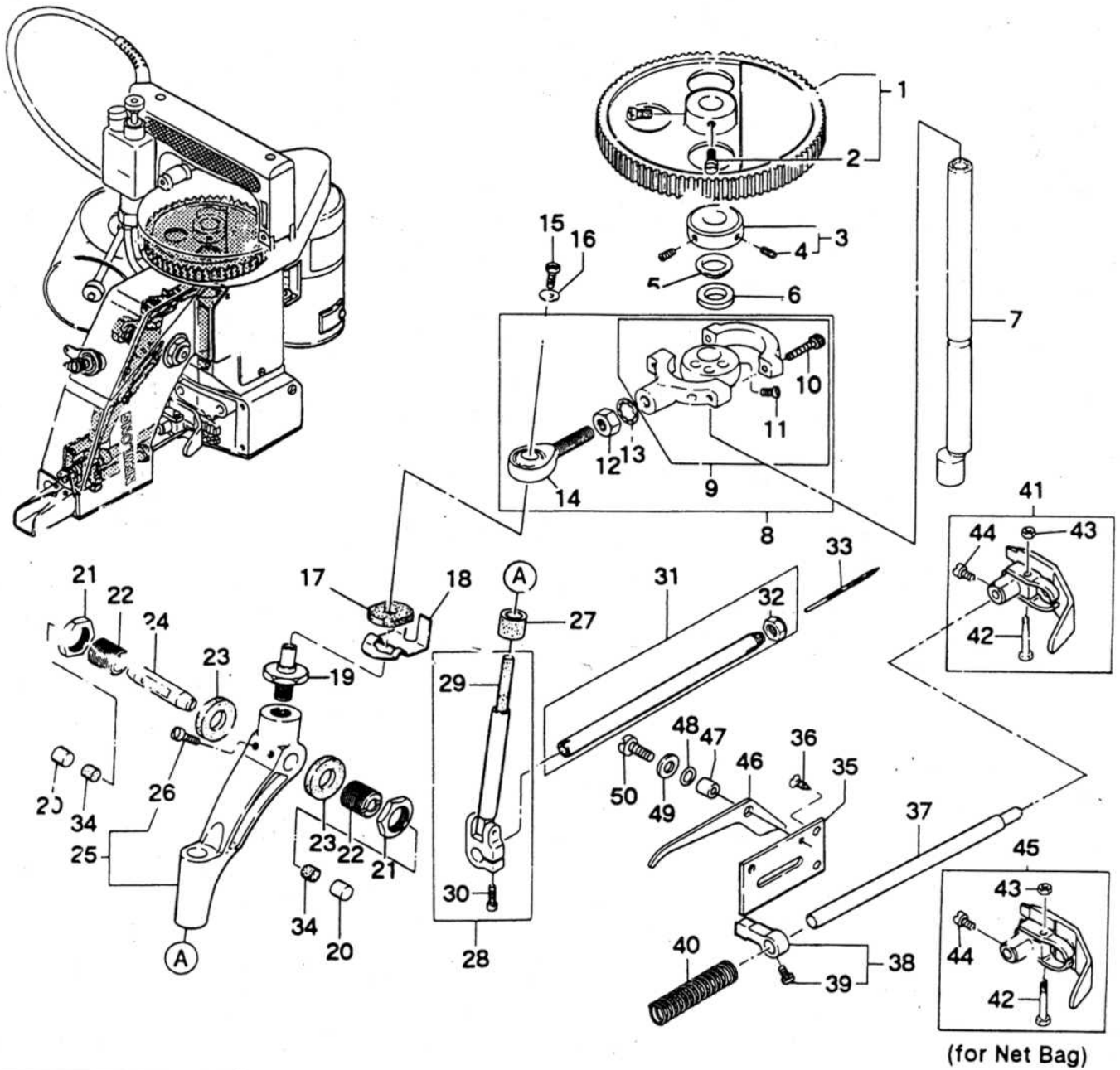
Ref. No.	Part No.	Description	Q'ty	Remarks
1	245042	Thread Stand	1	
2	15/64S28028	Screw, for 245042	2	
3	1N6	Nut	2	
4	3W6	Spring Washer	1	
5	2W6	Washer	1	
6	K01001	Thread	1	
7	245052	Thread Cone Clamping Rod	1	
8	245201	Thread Cone Clamping Nut	1	
9	245014	Top Cover	1	
10	9/64S40005	Screw, for 245014	2	
11	245551	Thread Eyelet	1	
12	245081C	Thread Tension Assembly	1	(13~17)
13	245081	Tension Post	1	
14	065261	Tension Disc	2	
15	245101	Tension Spring	1	
16	245092	Tension Nut	1	
17	9/64S40054	Screw, for 245081C	1	
18	245033	Needle Bar Guard	1	
19	11/64S40005	Screw, for 245033	1	
20	9/64S40065	Screw, for 245033	2	
21	245222	Loopei Cover	1	
22	9/64S40065	Screw, for 245222	3	
23	245022	Side Plate	1	
24	9/64S40005	Screw, for 245022	3	
25	245481	Gasket	1	
26	245302	Inside Cover	1	
27	9/64S40005	Screw, for 245302	4	
28	245181	Thread Cone Cover	(1)	Special Oder



## (2) BUSHING, OILING AND HANDLE PARTS

Ref. No.	Part No.	Description	Q'ty	Remarks
1	241024AS	Handle Assembly	1	2,5~11
2	241024A	Handle Assembly	1	(3,4)
3	241024	Handle	1	(4)
4	9/64S40011	Screw, for 241024A	2	
5	245132	Micro Switch Cover	1	
6	C02001	Micro Switch (Z-15GK655-B)	1	
	C02006	Micro Switch (X-10GD-B)	1	for DC motor
7	C05008	Flexible Terminal Block (ML-SK-1,4P)	1	
8	D03003	Filter	1	(9,10)
9	8FU2-6x90F	Oil Tube, with oil felt	1	
10	8FU2-6x60F	Oil Tube, with oil felt	1	
11	6S5x15	Screw, for D03003	1	
12	15/64S28021	Screw, for 241024A	2	
13	241122	Main Shaft Bushing, rear	1	
14	9/64S40502	Screw, for 241122	1	
15	065401	Rubber Bushing	1	
16	D07021	Joint (BN-5-6)	2	(17)
17	E03014	Washer	2	
18	245471	Joint	1	
19	1N4	Nut	1	
20	245461	Oil Pipe	1	
21	242212	Bushing for Presser Bar & Needle Bar, upper	3	
22	9/64S40504	Screw, for 242212	3	
23	242222	Presser Bar Bushing, lower	1	
24	245541	Oil Felt	1	
25	241111	Main Shaft Bushing, lower	1	
26	9/64S40502	Screw, for 241111	1	
27	243021	Looper Rocker Shaft Bushing	1	
28	245162	Oil Felt	1	
29	245271	Hanger	(1)	Special Order
30	241151	Hook	(1)	
31	1/8S400u6	Screw, for 241151	(2)	
32	245171	Shoulder Belt	(1)	
33	MW-6.5	Spring Balancer	(1)	
34	241024BS	Handle Assembly (Safety type with pulley cover)	(1)	5~11,35 (3,4,36)
35	241024B	Handle Assembly (Safety type with pulley cover)	(1)	
36	9S2.6x10	Screw, for 241024B	(1)	

### (3) NEEDLE BAR, PRESSER BAR AND DRIVING PARTS

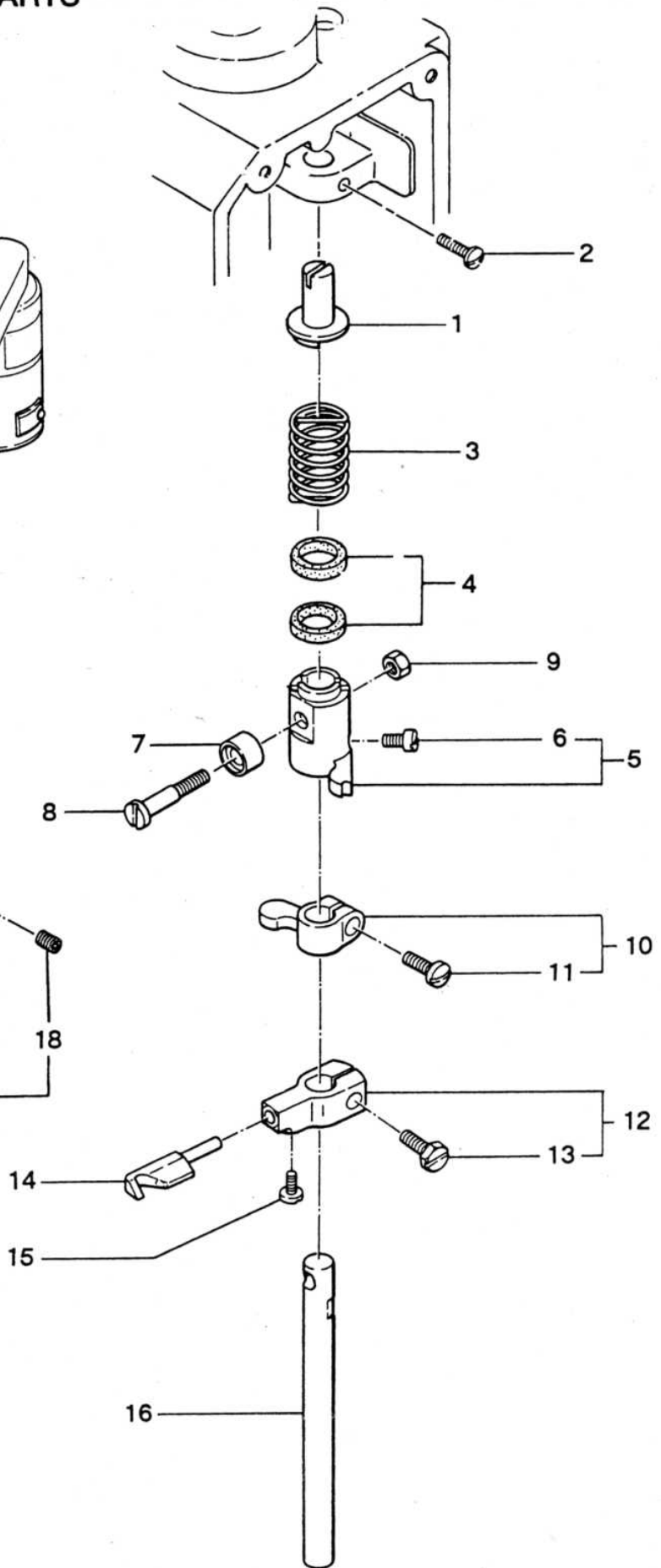
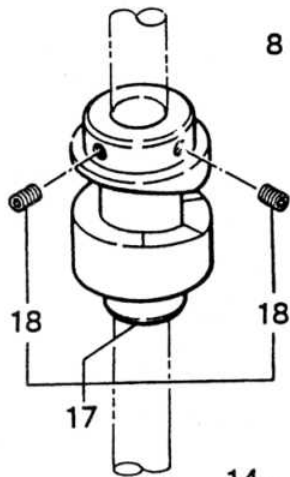
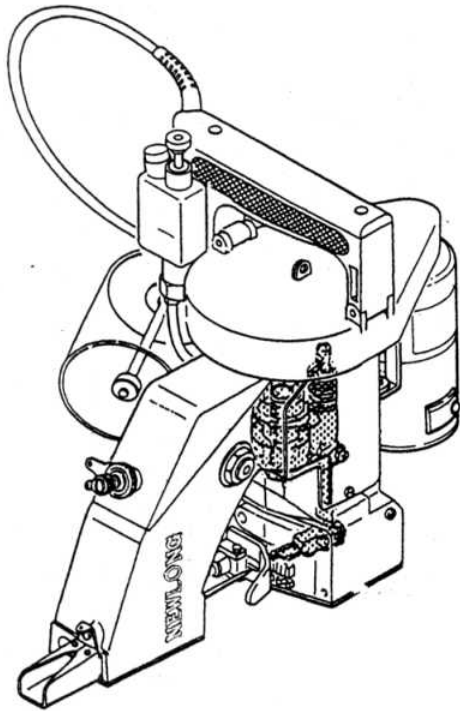


Ref. No.	Part No.	Description	Q'ty	Remarks
1	241092	Synchro Pulley	1	(2)
2	3/16S28001	Screw, for 241092	2	
3	241131	Retaining Collar	1	(4)
4	11/64S40502	Screw, for 241131	2	
5	241161	Spacer	1	
6	205151	Oil Felt	1	
7	241102	Main Shaft	1	
8	242011A	Connecting Rod Assembly	1	
9	242011	Connecting Rod Sub-Assembly	1	(9~14)
10	4B5×15	Screw, for connecting rod cap	1	(10,11)
11	11/64S40001	Screw, for eccentric cam	2	
12	1N8	Nut, for 242011A	2	
			1	

### (3) NEEDLE BAR,PRESSER BAR AND DRIVING PARTS

Ref. No.	Part No.	Description	Q'ty	Remarks
13	5W8	Washer, for 242011A	1	
14	6A04001	Rod End (POS-8)	1	
15	11/64S40084	Screw, for 242031	1	
16	11/64W15103	Washer, for 242031	1	
17	245211	Oil Felt	1	
18	242041	Spring	1	
19	242031	Rod End Stud	1	
20	245491	Cap	2	
21	5/8N18101	Nut , for 242081	2	
22	242081	Adjusting Stud	2	
23	245231	Oil Felt	2	
24	242071	Needle Bar Lever Stud	1	
25	<b>242051A</b>	<b>Needle Bar Lever Assembly</b>	1	(26)
26	11/64S40004	Screw, for 242051A	2	
27	245371	Oil Felt	1	
28	<b>242101A</b>	<b>Needle Bar Connection Assembly</b>	1	(29,30)
29	205171	Oil Felt	1	
30	11/64S40003	Screw, for 242101A	1	
31	<b>242121A</b>	<b>Needle Bar with Nut</b>	1	(32)
32	242131	*Needle Clamp Nut	1	
33	B01002	Needle(DN×1 #25)	1	
34	065561	Oil Felt	2	
35	242172	Presser Foot Lifter Base	1	
36	11/64S40002	Screw, for 242172	3	
37	242201	Presser Bar	1	
38	<b>242181</b>	<b>Presser Bar Connection</b>	1	(39)
39	11/64S40003	Screw, for 242181	1	
40	242191	Presser Spring	1	
41	<b>242231A</b>	<b>Presser Foot Assembly</b>	1	(42~44)
42	9/64S40055	Screw	1	
43	9/64N40101	Nut	1	
44	11/64S40005	Screw, for 242231A, 242233A	1	
45	<b>242233A</b>	<b>Presser Foot Assembly (for Net Bag)</b>	(1)	(42~44)
46	242161	Presser Foot Lifter	(1)	┌ Special Order └ For Presser └ Bar Lifter
47	242271	Collar	(1)	
48	31LP6	"O" Ring	(1)	
49	11/64W15103	Washer	(1)	
50	11/64S40009	Screw, for 242161	(1)	

#### (4) LOOPER DRIVING PARTS

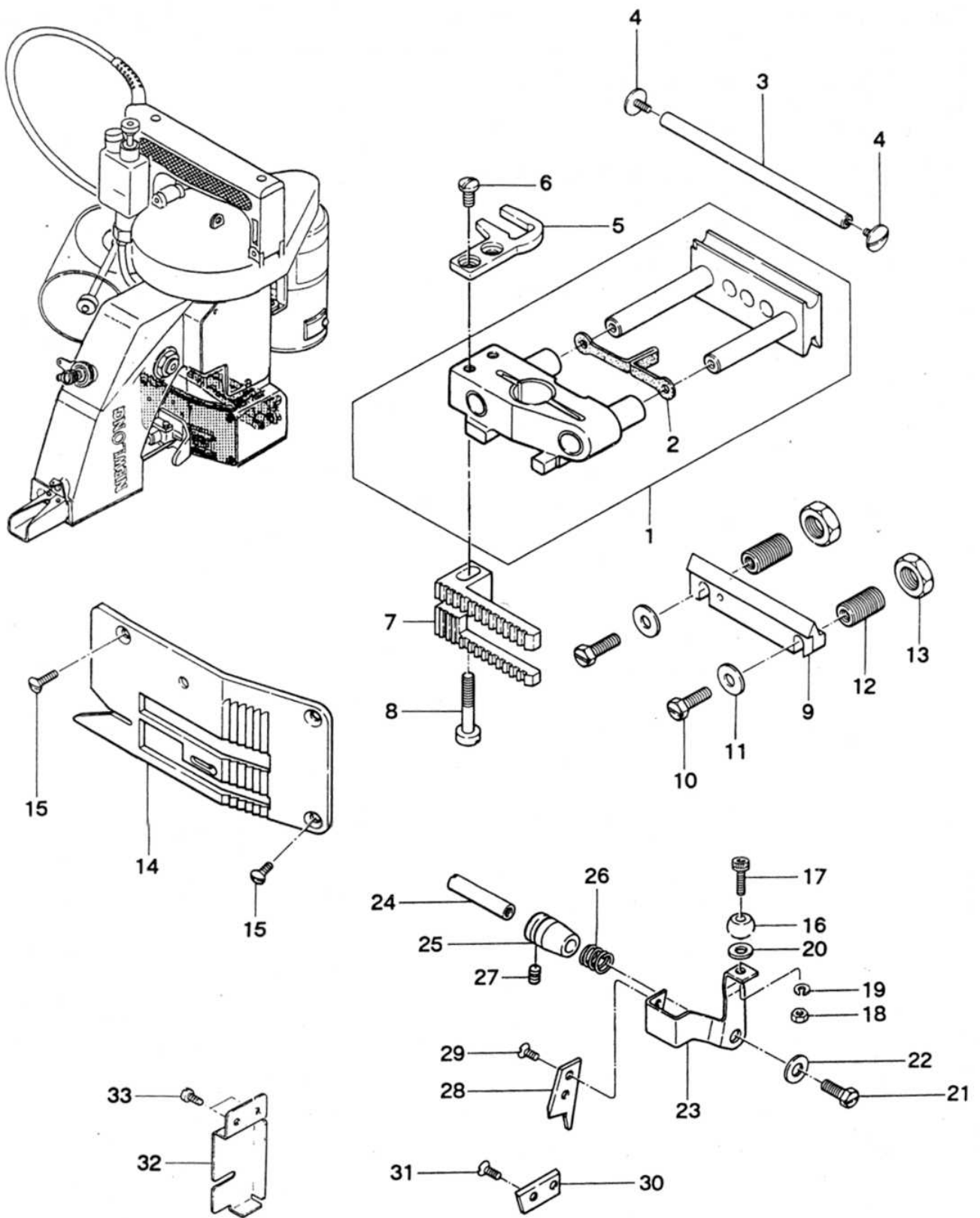




**(4) LOOPER DRIVING PARTS**

Ref. No.	Part No.	Description	Q'ty	Remarks
1	243121	Spring Supporter	1	
2	11/64S40003	Screw, for 243121	1	
3	243131	Spring	1	
4	205131	Oil Felt	2	
5	<b>243071</b>	<b>Looper Rocker Shaft Arm (A)</b>	<b>1</b>	<b>(6)</b>
6	11/64S40002	Screw, for 243071	1	
7	243041	Roller	1	
8	243061	Roller Stud Screw	1	
9	11/64N40201	Nut, for 243061	1	
10	<b>243081</b>	<b>Looper Rocker Shaft Arm (B)</b>	<b>1</b>	<b>(11)</b>
11	11/64S40009	Screw, for 243081	1	
12	<b>243092</b>	<b>Looper Rocker</b>	<b>1</b>	<b>(13)</b>
13	11/64S40089	Screw, for 243092	1	
14	243102	Looper	1	
15	9/64S40001	Screw, for 243102	1	
16	243032	Looper Rocker Shaft	1	
17	<b>243012</b>	<b>Looper Drive Cam</b>	<b>1</b>	<b>(18)</b>
18	15/64S28524	Screw, for 243012	2	

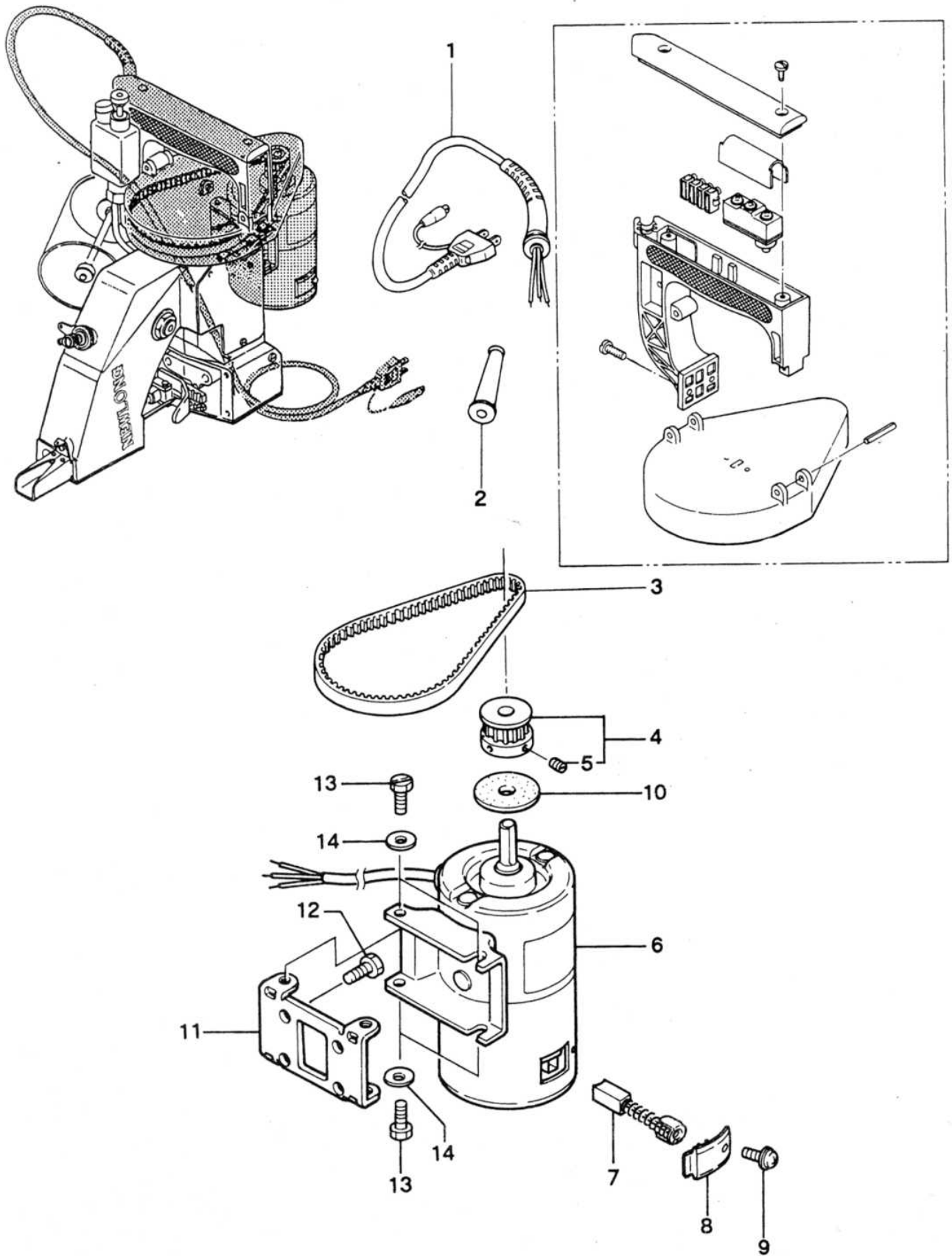
# (5) FEED DRIVING AND THREAD CUTTER PARTS



**(5) FEED DRIVING AND THREAD CUTTER PARTS**

Ref. No.	Part No.	Description	Q'ty	Remarks
1	244011A	Feed Dog Carrier Block Assembly	1	(2)
2	245391	Oil Felt	1	
3	244102	Slide Block Guide Stud	1	
4	9/64S40011	Screw, for 244102	2	
5	246011	Knife Bracket Extension	1	
6	3/16S32031	Screw, for 246011	2	
7	244111	Feed Dog	1	
8	3/16S32034	Screw, for 244111	1	
9	244081	Slide Block Adjusting	1	
10	3/16S32025	Lock Bolt, for 244091	2	
11	11/64W15103	Washer, for 244091	2	
12	244091	Stud Slide Block Adjusting Support	2	
13	3/8N24201	Lock Nut, for 244091	2	
14	244122	Throat Plate	1	
15	9/64S40043	Screw, for 244122	3	
16	246081	Ball	1	
17	4B3×12	Bolt, for 246081(M3×0.5×12ℓ)	1	
18	1N3	Nut, for 246081(M3×0.5)	1	
19	3W3	Spring Lock Washer(M3)	1	
20	1W3	Washer, for 246081(M3)	1	
21	11/64S40049	Screw, for 246021	1	
22	11/64W15103	Washer, for 246021	1	
23	246021	Knife Bracket	1	
24	246032	Knife Bracket Pin	1	
25	246042	Bushing, for 246032	1	
26	246051	Knife Tension Spring	1	
27	9/64S40502	Screw, for 246042	1	
28	246061	Knife Moving	1	
29	1/8S40003	Screw, for 246061	2	
30	246071	Knife Stationary	1	
31	1/8S40003	Screw, for 246071	2	
32	245561	Knife Cover	1	
33	1/8S40006	Screw, for 245561	2	<input type="checkbox"/> Special Order

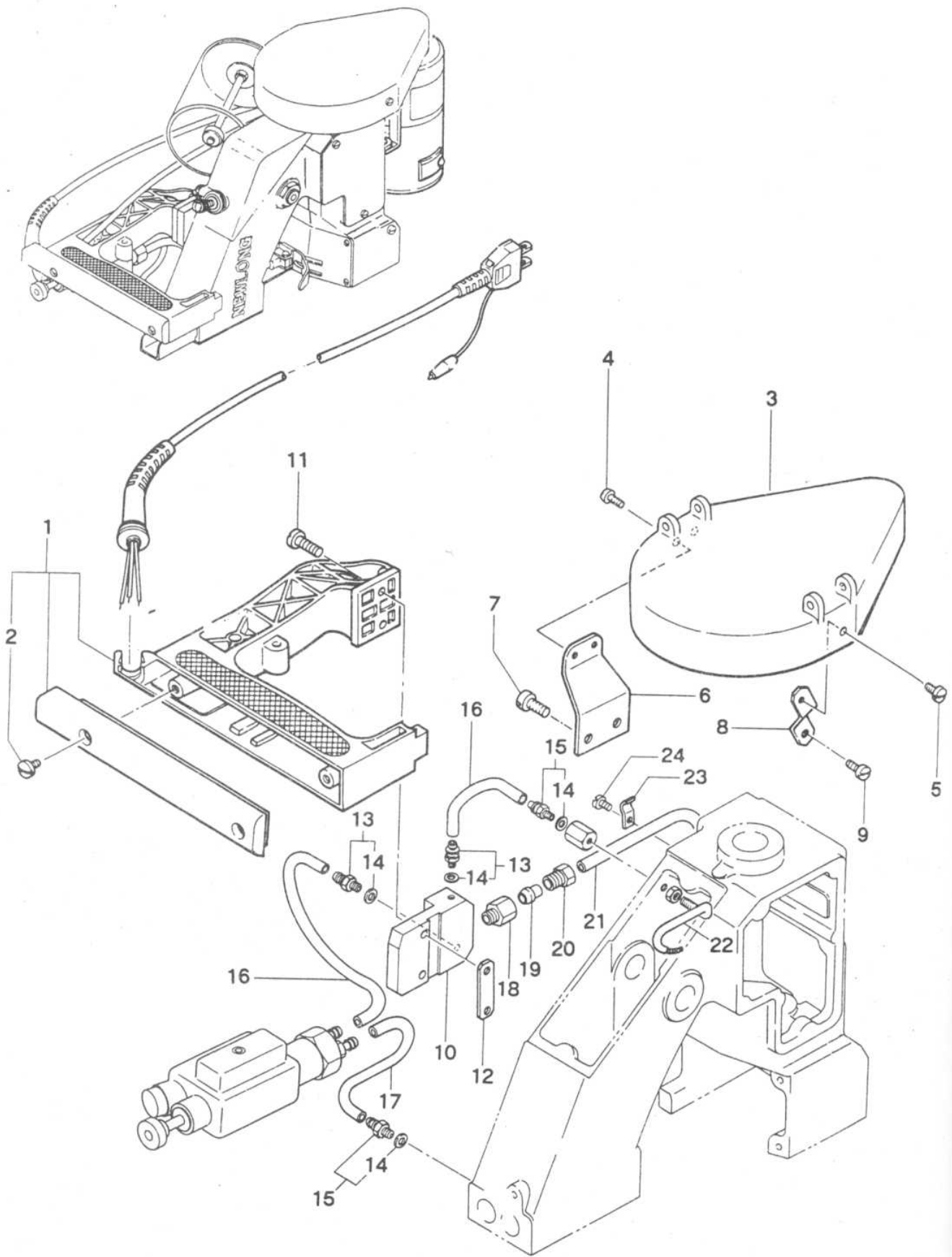
# (6) MOTOR PARTS (For Totally Enclosed Type Motor)



**(6) MOTOR PARTS (For Totally Enclosed Type Motor)**

Ref. No.	Part No.	Description	Qty	Remarks
1	C04001	Cabtyer Cord, with Plug(Standard Type)	1	
	C04003	Cabtyer Cord, with Plug(American Type)	1	
	C04004	Cabtyer Cord, with Plug(British Type)	1	
	C04005	Cabtyer Cord, with Plug(German Type)	1	
	C04006	Cabtyer Cord, with Plug(French Type)	1	
	C04007	Cabtyer Cord, with Plug(Australian Type)	1	
	C04009	Cabtyer Cord, with Plug(for DC Motor )	1	
2	211151	Rubber Bushing (for C04003-C04007)	1	
3	F01001	Timing Belt	1	
4	241083	Motor Pulley	1	(5)
5	11/64S40504	Screw, for 241083	2	
6	C01028	Universal Motor (220V-90W)	1	(7~10)
	C01029	Universal Motor (240V-90W)	1	(7~10)
	C01030	Universal Motor (110V-90W)	1	(7~10)
7	C08004	Carbon Brush, for AC Motor	2	
	C08005	Carbon Brush, for DC Motor	2	
8	C07003	Cap	2	
9	4S3x6-W	Screw	2	
10	C07005	Rubber Ring	1	
11	241073	Motor Base B	1	
12	15/64S28004	Screw, for 241073	4	
13	11/64S40091	Screw for Motor	4	
14	11/64W10101	Washer, for Motor	4	

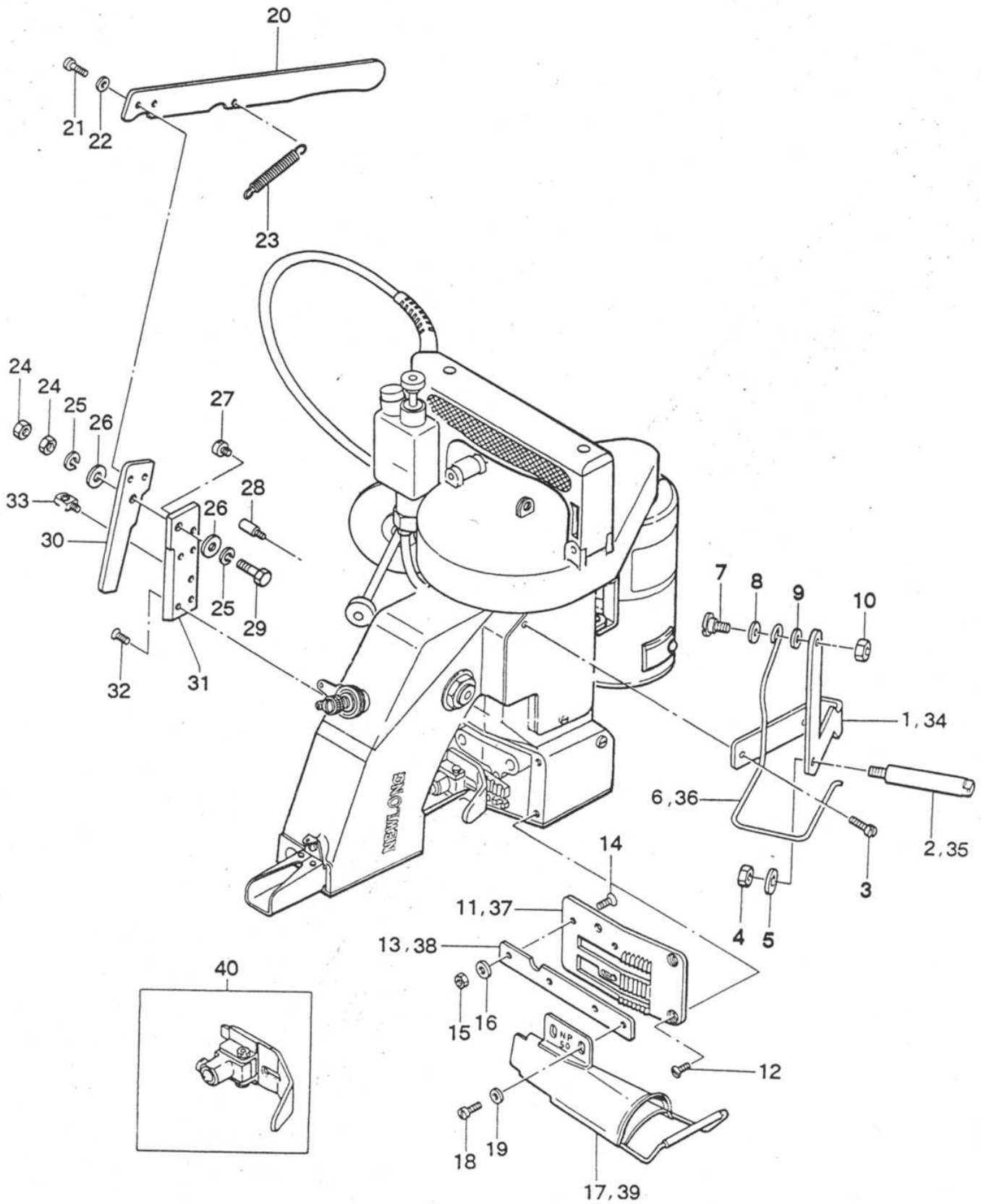
(7) SPECIAL PARTS FOR NP-7H



**(7) SPECIAL PARTS FOR NP-7H**

Ref. No.	Part No.	Description	Q'ty	Remarks
1	241024	Handle	1	(2)
2	9/64S40011	Screw	2	
3	241212	Pulley Cover	1	
4	9/64S40004	Screw, for 241053	2	
5	9/64S40052	Screw, for 241053	1	
6	241242	Pulley Cover Holder A	1	
7	15/64S28004	Screw, for 241242	2	
8	241231	Pulley Cover Holder B	1	
9	9/64S40005	Screw, for 241231	1	
10	241223	Handle Base	1	
11	15/64S28032	Screw, for 241253	2	
12	241253	Handle Base Holder	1	
13	D07021	Joint(BN-5-6)	2	(14)
14	E03014	Washer	4	
15	D07021	Joint(BI'-5-6)	2	(14)
16	8FU2-6x95F	Oil Tube ( $\phi$ 6x95 $\ell$ ), with oil felt	2	
17	8FU2-6x70F	Oil Tube ( $\phi$ 6x70 $\ell$ ), with oil felt	1	
18	D07022	Joint	1	
19	D07023	Compression Sleeve	1	
20	D07024	Compression Bushing	1	
21	8FN2-4x135K	Oil Tube ( $\phi$ 4x135 $\ell$ ), with oil wick	1	
22	245462	Oil Pipe	1	
23	D07009	Tube Clip (PC-4-1)	1	
24	9/64S40005	Screw, for D07009	1	

(8) CREPE TAPE BINDING AND CUTTER PARTS (Special Order Parts)





**(8) CREPE TAPE BINDING AND CUTTER PARTS (Special Order Parts)**

Ref. No.	Part No.	Description	Q'ty	Remarks
1	247071	Crepe Tape Bracket	1	
2	247091	Crepe Tape Hanger Stud	1	
3	9/64S40035	Screw, for 247071	2	
4	1N6	Nut, for 247091 (M6)	1	
5	2W6	Washer, for 247091 (M6)	1	
6	247081	Crepe Tape Supporter	1	
7	11/64S40015	Screw, for 247071	1	
8	1/4W03205	Spring Washer, for 247071	1	
9	1/4W15105	Washer, for 247071	1	
10	11/64N40203	Nut, for 247071	1	
11	244132	Throat Plate	1	
12	9/64S40043	Screw, for 244132	3	
13	247051	Holder, for crepe tape binder	1	
14	9/64S40043	Screw, for 247051	2	
15	9/64N40101	Nut, for 247051	2	
16	2W4	Washer, for 247051(M4)	2	
17	247061	Crepe Tape binder	1	
18	9/64S40054	Screw, for 247061	2	
19	2W4	Washer, for 247061(M4)	2	
20	247031	Cutter Lever	1	
21	11/64S40046	Screw, for 247011	2	
22	11/64W10101	Washer, for 247011	2	
23	247041	Spring	1	
24	15/64N28206	Nut, for 247021	2	
25	3W6	Spring Lock Washer, for 247021, (M6)	2	
26	2W6	Washer, for 247021, (M6)	2	
27	11/64S40029	Stopper Screw, for 247011	1	
28	3/16S32026	Stopper Screw, for 247031	1	
29	247021	Hinge Pin	1	
30	247011	Knife, Moving	1	
31	247001	Knife, Stationary	1	
32	1/8S40003	Screw, for 247001	4	
33	183261	Spring Hook	1	
34	247073	Crepe Tape Bracket	(1)	for Crepe Tape width 70 mm
35	247092	Crepe Tape Hanger Stud	(1)	
36	247082	Crepe Tape Supporter	(1)	
37	244133	Throat Plate	(1)	
38	247052	Holder, for crepe tape binder	(1)	
39	247063	Crepe tape Binder	(1)	
40	242261A	Presser Foot Assembly	(1)	

## NUMERICAL INDEX OF PARTS

PART NO.	PAGE	PART NO.	PAGE	PART NO.	PAGE	PART NO.	PAGE
035261	11-14	<b>242261A</b>	<b>25-40</b>	245481	11-25	<b>OTHER ITEMS</b>	
065401	13-15	242271	15-47	245491	15-20	6A04001	15-14
065561	15-34	<b>243012</b>	<b>17-17</b>	245541	13-24	B01002	15-33
183261	25-30	243021	13-27	245551	11-11	C01028	21-6
205131	14-6,17-4	243032	17-16	245561	19-32		
205171	15-29	243041	17-7	246011	19-5	C01029	21-6
211151	21-2	243061	17-8	246021	19-23	C01030	21-6
<b>241024</b>	<b>13-3,23-1</b>	<b>243071</b>	<b>17-5</b>	246032	19-24	C02001	13-6
<b>241024A</b>	<b>13-2</b>	<b>243081</b>	<b>17-10</b>	246042	19-25	C02006	13-6
<b>241024AS</b>	<b>13-1</b>	<b>243092</b>	<b>17-12</b>	246051	19-26	C04001	21-1
<b>241024E</b>	<b>13-35</b>	243102	17-14	246061	19-28	C04003	21-1
<b>241024B3</b>	<b>13-34</b>	243121	17-1	246071	19-30	C04004	21-1
241073	21-11	243131	17-3	246081	19-16	C04005	21-1
<b>241083</b>	<b>21-4</b>	<b>244011A</b>	<b>19-1</b>	247001	25-31	C04006	21-1
<b>241092</b>	<b>14-1</b>	244081	19-9	247011	25-30	C04007	21-1
241102	14-7	244091	19-12	247021	25-29	C04009	21-1
241111	13-25	244102	19-3	247031	25-20	C05008	13-7
241122	13-13	244111	19-7	247041	25-23	C07003	21-8
<b>241131</b>	<b>14-3</b>	244122	19-14	247051	25-13	C07005	21-10
241151	13-30	244132	25-11	247052	25-38	C08004	21-7
241161	14-5	244133	25-37	247061	25-17	C08005	21-7
241212	23-3	245014	11-9	247063	25-39	<b>D03003</b>	<b>13-8</b>
241223	23-10	245022	11-23	247071	25-1	D07009	23-23
241231	23-8	245033	11-18	247073	25-34	<b>D07021</b>	<b>13-16,23-13</b>
241242	23-6	245042	11-1	247081	25-6		<b>23-15</b>
241253	23-12	245052	11-7	247082	25-36	D07022	23-18
<b>242011</b>	<b>14-9</b>	<b>245081C</b>	<b>11-12</b>	247091	25-2	D07023	23-19
<b>242011A</b>	<b>14-8</b>	245081	11-13	247092	25-35	D07024	23-20
242031	15-19	245092	11-16			F01001	21-3
242041	15-18	245101	11-15			K01001	11-6
<b>242051A</b>	<b>15-25</b>	245132	13-5			8FN2-4x135K	23-21
242071	15-24	245162	13-28			8FU2-6x60F	13-10
242081	15-22	245171	13-32			8FU2-6x70F	23-17
<b>242101A</b>	<b>15-28</b>	245181	11-28			8FU2-6x90F	13-9
<b>242121A</b>	<b>15-31</b>	245201	11-8			8FU2-6x95F	23-16
242131	15-32	245211	15-17			MW-6.5	13-33
242161	15-46	245222	11-21			31LP6	15-48
242172	15-35	245231	15-23				
<b>242181</b>	<b>15-38</b>	245271	13-29				
242191	15-40	245302	11-26				
242201	15-37	245371	15-27				
242212	13-21	245391	19-2				
242222	13-23	245461	13-20				
<b>242231A</b>	<b>15-41</b>	245462	23-22				
<b>242233A</b>	<b>15-45</b>	245471	13-18				

## NUMERICAL INDEX OF PARTS

PART NO.	PAGE	PART NO.	PAGE	PART NO.	PAGE	PART NO.	PAGE
<b>SCREW</b>		15/64S28032	23-11				
		15/64S28524	17-18				
1/8S40003	19-29,19-31	4B3×12	19-17				
	25-32	4B5×15	14-10				
1/8S40006	13-31,19-33	4S3×6-W	21-9				
3/16S28001	14-2	6S5×15	13-11				
3/16S32025	19-10	9S2.6×10	13-36				
3/16S32026	25-28						
3/16S32031	19-6						
3/16S32034	19-8						
		<b>NUT</b>					
9/64S40001	17-15	1N3	19-18				
9/64S40004	23-4	1N4	13-19				
9/64S40005	11-10,11-24	1N6	11-3,25-4				
	11-27,23-9	1N8	14-12				
	23-24	3/8N24201	19-13				
9/64S40011	13-4,19-4	5/8N18101	15-21				
	23-2	9/64N40101	15-43,25-15				
9/64S40035	25-3	11/64N40201	17-9				
9/64S40043	19-15,25-12	11/64N40203	25-10				
	25-14	15/64N28206	25-24				
9/64S40052	23-5						
9/64S40054	11-17,25-18						
9/64S40055	15-42						
9/64S40065	11-20,11-22						
9/64S40502	13-14,13-26						
	19-27						
9/64S40504	13-22	<b>WASHER</b>					
11/64S40001	14-11	1W3	19-20				
11/64S40002	15-36,17-6	2W4	25-16,25-19				
11/64S40003	15-30,15-39	2W6	11-5,25-5				
	17-2		25-26				
		3W3	19-19				
11/64S40004	15-26	3W6	11-4,25-25				
11/64S40005	11-19,15-44	5W8	15-13				
11/64S40009	15-50,17-11	1/4W03205	25-8				
11/64S40015	25-7	1/4W15105	25-9				
11/64S40029	25-27	11/64W10101	21-14,25-22				
11/64S40046	25-21	11/64W15103	15-16,15-49				
11/64S40049	19-21		19-11,19-22				
11/64S40084	15-15	E93014	13-17,23-14				
11/64S40089	17-13						
11/64S40091	21-13						
11/64S40502	14-4						
11/64S40504	21-5						
15/64S28004	21-12,23-7						
15/64S28021	13-12						
15/64S28028	11-2						